

GERMANY'S NO. 1*
PSU MANUFACTURER

be quiet!®



STRAIGHT POWER 11

WORLD CLASS QUIET AND EFFICIENCY

1000W • 850W • 750W • 650W • 550W • 450W

IDEAL APPLICATIONS

Extremely silent PC builds
Advanced multi-GPU gaming
Multimedia and home theater systems
3D graphics, photo and video editing

HIGHLIGHTS

Virtually inaudible Silent Wings 3 135mm fan
Wire-free design inside the PSU
80PLUS® Gold efficiency of up to 93%
Convenient full cable management

World Class Quietness and Efficiency

The be quiet! Straight Power 11 series raises the bar for systems that demand virtually inaudible operation without power quality compromises. Clearly the best choice for super silent systems.

Highlights »

- Virtually inaudible operation thanks to a Silent Wings 3 135mm fan
- Big funnel-shaped fan opening of the PSU case for high airflow intake
- Wire-free on the DC side for enhanced cooling and longevity of components
- Full cable management for maximum build flexibility
- 80PLUS® Gold certification with an efficiency of up to 93%
- Advanced stability and voltage regulation thanks to LLC, SR and DC-to-DC
- Four high-performance 12V-rails
- Powerful GPU support with up to six PCI-Express connectors
- Japanese 105°C-rated capacitors ensure stability and reliability
- Power signal stability unmatched in its class
- ErP and Energy Star 6.1 ready
- 5-year manufacturer's warranty
- Product conception, design and quality control in Germany

Straight Power 11 »

Whether you're building a high-performance multi-GPU gaming system, assembling an extraordinarily quiet multimedia PC, or simply seeking a better, quieter upgrade for an existing system, be quiet! Straight Power 11 is a 'Best Choice.'



+ FULL CABLE MANAGEMENT

*According to the yearly PC Games Hardware's „Manufacturer of the year“ election (2006-2016) and market data from GfK (2007-2017)

STRAIGHT POWER 11

WORLD CLASS QUIET AND EFFICIENCY

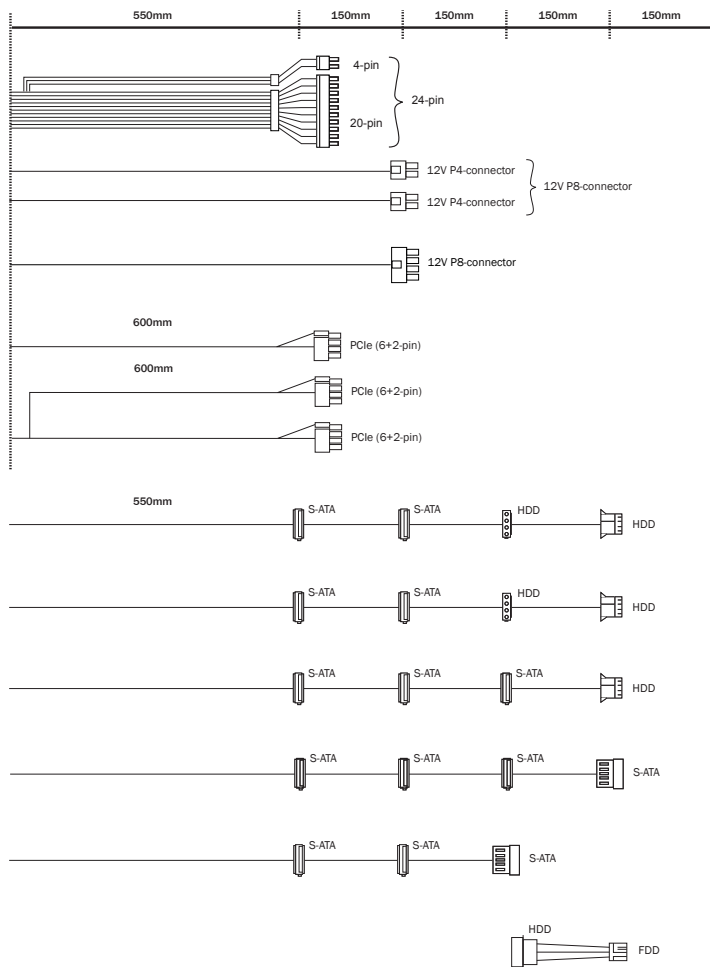
Technical Data »							
IN GENERAL	Model	1000W	850W	750W	650W	550W	450W
	Article no.	BN285	BN284	BN283	BN282	BN281	BN280
	EAN code	4260052185803	4260052185797	4260052185780	4260052185773	4260052185766	4260052185759
	Voltage (Vac) / Frequency (Hz)	100-240 / 50-60	100-240 / 50-60	100-240 / 50-60	100-240 / 50-60	100-240 / 50-60	100-240 / 50-60
	Dimensions (L x W x H)	170 x 150 x 86	170 x 150 x 86	170 x 150 x 86	160 x 150 x 86	160 x 150 x 86	160 x 150 x 86
	ATX 12V 2.4 / EPS 12V 2.92	✓ / ✓	✓ / ✓	✓ / ✓	✓ / ✓	✓ / ✓	✓ / -
	Wire-free (DC-side)	✓	✓	✓	✓	✓	✓
	Silent Wings 3 fan (mm)	135	135	135	135	135	135
	Noise level (dB(A)) at 20 / 50 / 100% load	11.1 / 11.8 / 32.1	9.7 / 10.6 / 25	8.4 / 9 / 21.2	8.9 / 9.8 / 17.5	9 / 9.5 / 17.2	9.4 / 9.8 / 12.3
	12V-rails	4	4	4	4	4	4
	PFC	active	active	active	active	active	active
	Efficiency (%) at 230V	80PLUS® Gold / up to 93%	80PLUS® Gold / up to 93%	80PLUS® Gold / up to 93%	80PLUS® Gold / up to 93%	80PLUS® Gold / up to 93%	80PLUS® Gold / up to 93%
	Energy Star 6.1 compatible	✓	✓	✓	✓	✓	✓
	ErP ready / Power in stand-by (W)	✓ / 0.12	✓ / 0.12	✓ / 0.12	✓ / 0.12	✓ / 0.12	✓ / 0.12
	OCP, OVP, UVP, SCP, OPP, OTP	✓	✓	✓	✓	✓	✓
Lifetime of PSU at 25°C (h)	100,000	100,000	100,000	100,000	100,000	100,000	
CABLES	No. of cables	11	11	11	9	8	8
	Maximum cable length (cm)	115	115	115	115	115	115
	Length of ATX-connection cable (cm)	60	60	60	60	60	60
	Full cable management	✓	✓	✓	✓	✓	✓
	Sleeved cables	✓	✓	✓	✓	✓	✓
CONNECTORS	ATX motherboard (20+4-pin)	✓	✓	✓	✓	✓	✓
	PCI express (6+2-pin)	6	4	4	4	2	2
	P8-/P4-connector	1x P4+4 / 1x P8	1x P4+4 / 1x P8	1x P4+4 / 1x P8	1x P4+4	1x P4+4	1x P4+4
	S-ATA (5-pin)	11	11	11	9	9	8
	P-ATA (4-pin)	4	4	4	3	3	3

Output Data »											
AC Input		100 - 240Vac 50 - 60Hz 6 - 3A									
DC Output		3.3V	5V	12V1	12V2	12V3	12V4	-12V	5VSB		
450W	Max. Current	24A	24A	18A	18A	19A	19A	0.3A	3A		
	Max. Combined Power	120W		37.5A				450W	3.6W	15W	
		450W									
AC Input		100 - 240Vac 50 - 60Hz 10 - 5A									
DC Output		3.3V	5V	12V1	12V2	12V3	12V4	-12V	5VSB		
750W	Max. Current	25A	25A	20A	20A	24A	24A	0.5A	3A		
	Max. Combined Power	150W		62.5A				750W	6W	15W	
		750W									
AC Input		100 - 240Vac 50 - 60Hz 8 - 4A									
DC Output		3.3V	5V	12V1	12V2	12V3	12V4	-12V	5VSB		
550W	Max. Current	24A	24A	18A	18A	20A	20A	0.3A	3A		
	Max. Combined Power	130W		45.8A				549.6W	3.6W	15W	
		550W									
AC Input		100 - 240Vac 50 - 60Hz 10 - 5A									
DC Output		3.3V	5V	12V1	12V2	12V3	12V4	-12V	5VSB		
850W	Max. Current	25A	25A	21A	21A	26A	26A	0.5A	3A		
	Max. Combined Power	150W		70.8A				849.6W	6W	15W	
		850W									
AC Input		100 - 240Vac 50 - 60Hz 8 - 4A									
DC Output		3.3V	5V	12V1	12V2	12V3	12V4	-12V	5VSB		
650W	Max. Current	24A	24A	18A	18A	22A	22A	0.3A	3A		
	Max. Combined Power	140W		54.1A				649.2W	3.6W	15W	
		650W									
AC Input		100 - 240Vac 50 - 60Hz 13 - 6.5A									
DC Output		3.3V	5V	12V1	12V2	12V3	12V4	-12V	5VSB		
1000W	Max. Current	25A	25A	22A	22A	30A	30A	0.5A	3A		
	Max. Combined Power	150W		83.3A				999.6W	6W	15W	
		1000W									

STRAIGHT POWER 11

WORLD CLASS QUIET AND EFFICIENCY

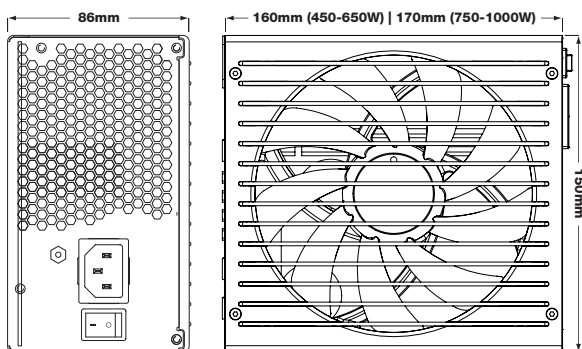
Cables »



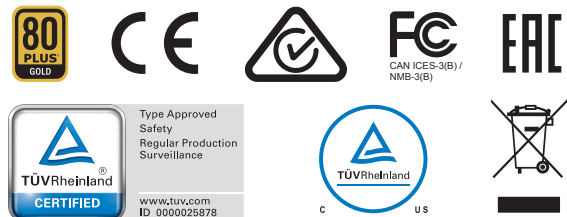
Cable length to first connector

	1000W	850W	750W	650W	550W	450W
ATX	600mm	600mm	600mm	600mm	600mm	600mm
12V P8	700mm	700mm	700mm	700mm	700mm	700mm
PCIe	700mm	700mm	700mm	-	-	-
PCIe (6+2-pin)	-	600mm 2x	600mm 2x	-	600mm 2x	600mm 2x
SATA	600mm 3x	600mm 1x	600mm 1x	600mm 2x	-	-
HDD	550mm	550mm	550mm	550mm	550mm	550mm
FDD	550mm	550mm	550mm	-	-	-
SATA (HDD)	-	-	-	550mm	550mm	550mm
SATA (SSD)	550mm	550mm	550mm	550mm	550mm	-
SATA (FDD)	550mm	550mm	550mm	-	-	550mm

Dimensions (mm) »



Certifications »



Contact »

Service Hotline: +49 40 7367 686 44 (Mo-Fr. 9:00-17:30)
 Mail: service@bequiet.com